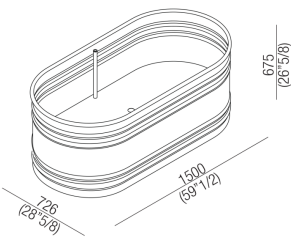




Bathtubs Vieques XS  
**AVAS0912\_**

Patricia Urquiola, 2013

bathtub



**Finishes**



Steel painted white



Steel painted grey



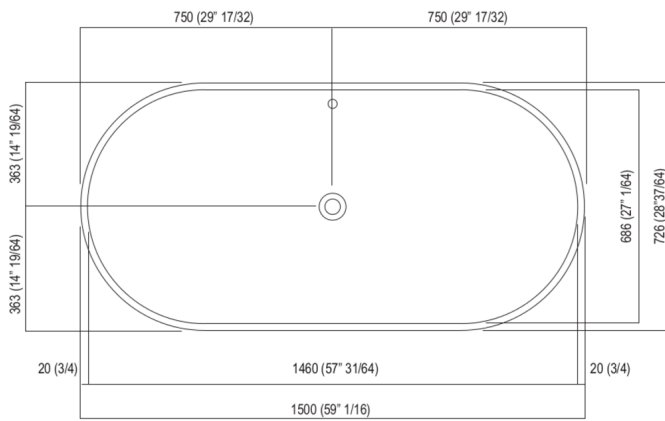
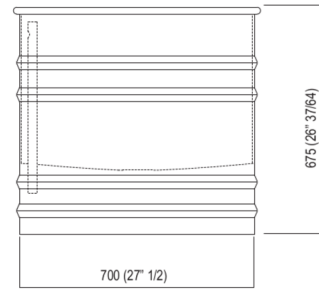
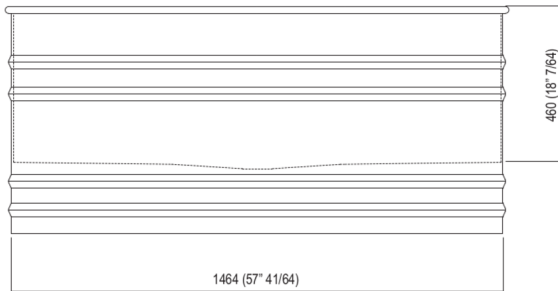
Oval steel bathtub painted white with dark grey exterior (RAL7021). With external overflow system painted white. Backrest and shelf in teak wood available as accessories, to be installed on bathtub edge. The bath must be fitted with waste trap .MET0433WU (.MET0434 for bathtubs on display).

Materials used: Steel.

|                         |                  |                              |
|-------------------------|------------------|------------------------------|
| Height:                 | 67.5 cm          | 26"5/8 inches                |
| Depth:                  | 72.6 cm          | 28"5/8 inches                |
| Length:                 | 150.0 cm         | 59"1/2 inches                |
| Capacity:               | 320.0 l          | 85 gal                       |
| Weight:                 | 65.0 kg          | 143 lbs                      |
| Packaging measurements: | 87 x 165 x 70 cm | 34"1/4 x 65" x 27"1/2 inches |
| Weight with packaging:  | 88.0 kg          | 195 lbs                      |

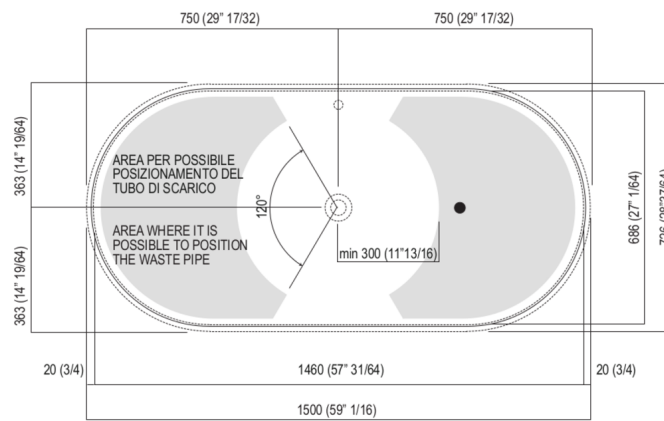


Main dimensions



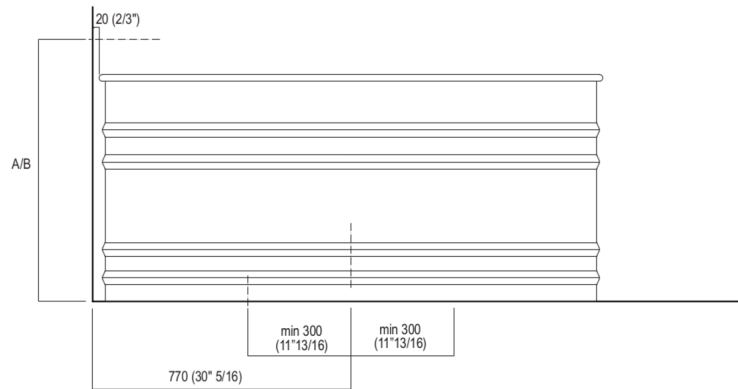
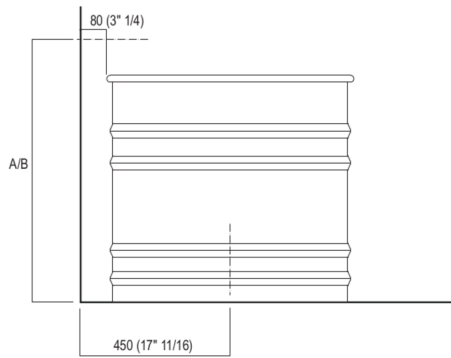


Drain pipe position





Dimensions for wall mounted taps

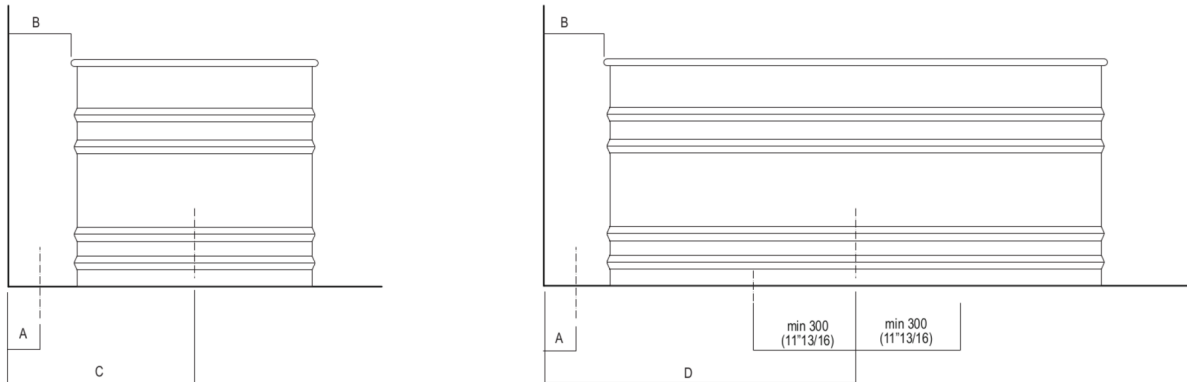


|  | A*             | B**            |
|--|----------------|----------------|
| FEZ (ARUB050000L, ARUB051000L, ARUB150000C, ARUB151000C, ARUB1089S, ARUB190000C, ARUB191000C, ARUB1091S) | 780 (30"45/64) | -              |
| MEMORY (ARUB1076S, ARUB1077S, ARUB1040S)   | 780 (30"45/64) | -              |
| SUITE (ARUB1107S)  | 780 (30"45/64) | -              |
| SQUARE (ARUB0932N, ARUB0933N)  | -              | 780 (30"45/64) |
| SEN (ASEN0912V)  | -              | 830 (32"43/64) |

\* inserasse gruppo / axial distance for tap  
 \*\* filo inferiore gruppo / Tap's lower edge



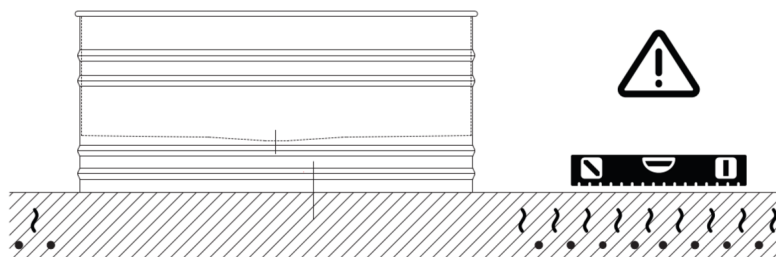
Dimensions for freestanding spouts



|   | A          | B             | C              | D             |
|---|------------|---------------|----------------|---------------|
| FEZ (ARUB140, RAUB145, ARUB170N)  | 80 (3"1/8) | 170 (6"11/16) | 540 (21"17/64) | 920 (36"7/32) |
| MEMORY (ARUB1078, ARUB1072, ARUB1033)   | 80 (3"1/8) | 170 (6"11/16) | 540 (21"17/64) | 920 (36"7/32) |
| SQUARE (ARUB0961L, ARUB0934L,<br>ARUB0935NL, ARUB0936NL,<br>ARUB0952L, ARUB1024N) | 80 (3"1/8) | 140 (5"33/64) | 520 (20"15/32) | 900 (35"7/16) |
| SUITE (ARUB1108S)   | 80 (3"1/8) | 170 (6"11/16) | 540 (21"17/64) | 920 (36"7/32) |
| SEN (ASEN0911)  | 80 (3"1/8) | 140 (5"33/64) | 520 (20"15/32) | 900 (35"7/16) |



Note



La vasca deve essere installata su un pavimento perfettamente piano.  
The bathtub must be positioned on a flat floor surface.

Evitare di realizzare impianti di riscaldamento nell'area sottostante la vasca.  
Avoid the installation of floor heating plants in the area under the bathtub.